

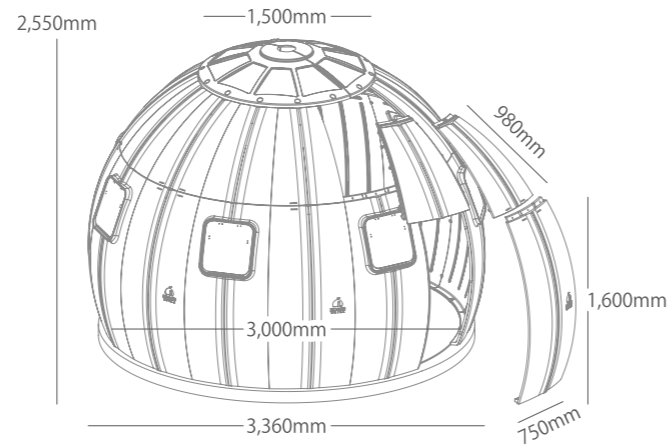
How to assemble the EZDOME HOUSE

Speedy assembly and installation is possible in about 90 minutes.
* When working with two adults with standard specifications

-  Place the floor panels one by one on a flat surface. Use an electric screwdriver to connect the panels with screws.
-  Connect all the floor panels. Put a circular panel in the center of the floor.
-  Install the lower wall panel. One person supports the outer wall surface, while the other connects the wall surface panels from the inside with screws.
-  Connect all the lower wall panels. Fix the lower panel and floor panel with screws.
-  While supporting the wall surface by two adults, connect and fix the upper panels to the lower panels with screws.
-  When the wall surface is completed, place the sunroof and fix it with screws.
-  Install the doorway in the correct position according to the instructions.
-  **8 COMPLETED**
Working with two adults, installation will be completed in about 90 minutes. You can quickly secure an evacuation site even in the event of a natural disaster.

EZDOME HOUSE Basic Specifications

Size	External Dimensions Maximum diameter 3360mm height 2550mm Floor thickness 60mm	Internal Dimensions Maximum diameter 3280mm (floor diameter 3000mm) room height 2350mm
	Weight	Approx. 300kg
Material	Walls and floor High density polyethylene (HDPE) Sunroof Polycarbonate	
Kit includes	Upper, lower, and floor panels. Sunroof.	



Size comparison

	Room Type	Floor space	Volume	Floor shape	Floor size (m)
EZDOME HOUSE	Dome type	7.1m ²	16.5m ³	Circular	3.0m circ(max 3.4m)
	Japanese room	4.5-Jo	7.3m ²	Square	2.7 x 2.7m

* 1-Jo size (approx.): 1.8m x 0.9m = 1.6m² (approx. 1.65m²). 4.5-Jo size (approx.): 2.7m x 2.7m = 7.3m² (approx. 7.3m²). All figures are rounded. Space volume: Estimated by the ceiling height at 2.4m. *The price is the selling price (ex. Consumption tax) as of March 2021. Prices, specifications, and equipment are subject to change without notice. All photos shown are images and may differ from actual products.

Planning, development and sales agency of EZDOME HOUSE.

EZDOME JAPAN

[Enquiries]

Tel +81-561-37-5440

www.ezdome.jp/

TCL Co., Ltd. (White House Group)

29-1 Auto Planet Nagoya, Wago, Kitakagaya, Togo, Aichi



[Showrooms]

- TOKYO ▶ 5F, 4-24-16, Sakuragaoka, Setagayaku, Tokyo Tel +81-3-5426-1904
- YOKOHAMA ▶ 2-8, Gokanmecho, Seyaku, Yokohama, Kanagawa Tel +81-45-924-0878
- NAGOYA ▶ 9-1 Auto Planet Nagoya, Wago, Kitakagaya, Togo, Aichi Tel +81-561-37-5440
- FUKUOKA ▶ 2-14-8, Sugizuka, Chikushino, Fukuoka Tel +81-92-920-1900

*"EZDOME" (Registration No. 6339246) is a registered trademark of White House Co., Ltd.

EZDOME HOUSE DEALER

Inquiries in New Zealand:

【Trading Name】

EZDOME NEW ZEALAND

【Company Information】

NZJP Consulting Ltd

Email: info@nzjp.co.nz

Phone : 09 972 3641



Comfortable to live in.

EZDOME HOUSE

Easy assembly in just 90 minutes.*

*When working with two adults with standard specifications.

EASY to assemble.
FREE to use.
FREEDOM useability.
INFINITE ways to enjoy.
CUTE design.





Case 1

Case 2

Case 3

Case 4

Case 5

Case 6

EZDOME HOUSE GOOD LIFE

Multi-purpose dome house for various lifestyles.
Easy to assemble and disassemble, comfortable, versatile, reliable, strong, and durable.
Great for campgrounds, glamping facilities and private places.

EZDOME House is not only a living space, but also designed with maximum user convenience in mind. The panel material is high-density polyethylene, a non-toxic material that does not detect environmental hormones (bisphenol, phthalate, melamine). This has excellent heat resistance, cold resistance, and electrical insulation, as well as impact resistance. The double-layered wall panel provides a safe and comfortable space. We also offer a variety of optional products to suit various lifestyles with new ideas.

- The unique and modern dome shape is stylish.
- High-density polyethylene has excellent durability.
- and is resistant to shaking such as earthquakes.
- Streamlined and can withstand typhoons.
- Excellent waterproofness and dome-shaped.
- Less snow pile. Rest assured even under sudden weather changes.
- We provide a comfortable space with a reasonable size.



Dreams are infinite

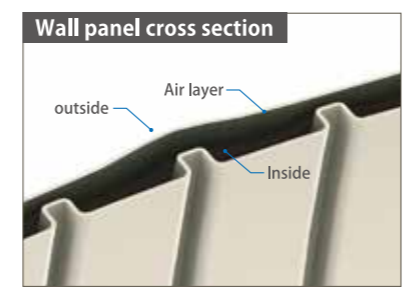
We propose how to use the dome according to various lifestyles with a new idea that has never existed before.

Please also refer to the **OPTIONS CATALOG** for exclusive use of the house.

FEATURES OF EZDOME HOUSE

■ Dome buildings are economical and scientific

--	--	--



Double-layer wall panels (40mm thick)
The hollow double panel enhances the heat insulation and cold protection of the room to provide a comfortable room space.

Upper, lower, floor panels material
High-density polyethylene
Non-toxic, impact resistant, heat resistant, cold resistant, water resistant, acid alkali resistant, electrical insulation, moisture resistant, stain resistant

Sunroof material
Polycarbonate
Impact resistant, weather resistant, heat resistant, high transparency

Cabin style yet attractive price.
Attractive cost performance compared to trailer houses and permanent bungalows.

Easy to assemble, DIY type dome house.
Easy to assemble at any time. Can be disassembled and relocated as needed. A complete DIY prefabricated dome house.

Increased accommodation rooms and reduced construction costs at the time of establishment.
Since it can also be used as a simple accommodation facility, you can start the business with a low cost investment.

Using the eco-friendly materials with excellent durability.
HDPE (High Density Polyethylene) panels, which have higher impact resistance than polycarbonate, have excellent water resistance and are 100% recyclable. Long-term use is possible due to UV blocking treatment.

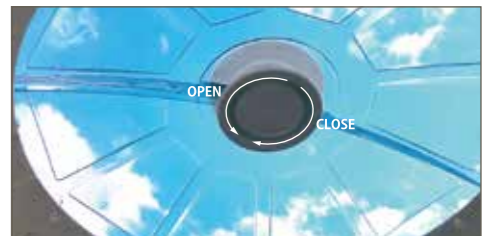
Comfortable indoor environment with heat retention and heat insulation
The interior surrounded by HDPE panels has better heat retention and heat insulation than wooden bungalows and polyester tents, ensuring a comfortable living space at all times.

EZDOME HOUSE Standard specifications

- Standard specifications**
- Hatch door panel..... 1 pcs
 - Wall panels with window..... 3 pcs
 - Standard wall panels14pcs. (upper),10pcs. (lower)
 - Floor panels.....14 pcs
 - Sunroof with natural ventilation system..... 1 pcs
 - Rain gutter.....1 pcs
- * Hatch-type door panels and wall panels with windows can be additionally installed.



Floor panels
The double-layered floor panel (60mm thick) blocks moisture and pests under the floor, and cushions the impact.



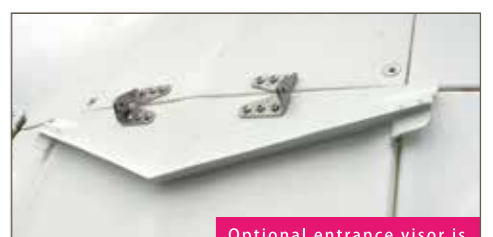
Sunroof with natural ventilation system, made of polycarbonate
The roof with excellent weather resistance adjusts the indoor ventilation volume (air volume), enabling smooth air circulation.



Wall panel with window / locking device
For lighting and ventilation, wall panels with windows and locks can be added up to 7 locations. Each window can be locked with the lever in the room.



Hatch type door set (can be added as an option)
Hatch door panel uses hydraulic dampers, making effective use of wall panels. Up to 2 doors can be added as an option.



Rain gutter
Rain gutter allows rainwater to flow to both sides when the hatch is opened. **Optional entrance visor is necessary to protect from the rain when opening and closing.**

*The products and specifications contained in this catalog are as of March 2021, and are subject to change without notice, in order to improve product quality. The parts and model names are subject to change without notice, due to the manufacturer's circumstances. This catalog is printed and may differ in color from the actual product. This catalog supplements your understanding and may differ from the actual product. The thickness of the panel of this product varies depending on the manufacturing process, and the color may look different depending on the angle and transmittance of light. Please contact our sales staff for details on the specifications and prices of this product. Information about the key (locking): (Inside) Window / Hatch type door: Lever lock from the inside. (Outside) Can be locked using the ring bolts attached to the hatch door and the adjacent windowed panels. Please note that customers are required to prepare "dial locks", etc. on their own.



EASY to assemble.



INFINITY ways to enjoy.



CUTE design.



EZDOME HOUSE

EZDOME COLLECTION

Infinite usage! EZDOME HOUSE

DIY For standard specifications Easy assembly 90min



FREEDOM useability.



FREE to use.